



## Gigabit Ethernet Fibre Optic Link

- **1000 BASE-T / 1000 BASE-X**
- **Transmission distances up to 80km**
- **Immune to electrical interference**
- **SNMP compatible**

### Ethernet over fibre rack cards and modules

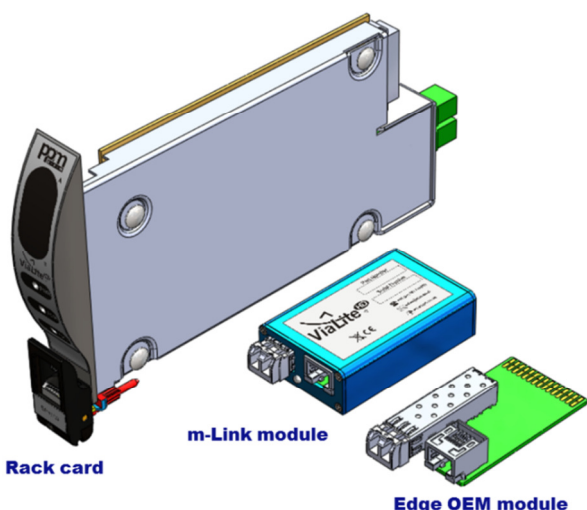
The **ViaLiteHD** Ethernet media converter provides full duplex transmission of Ethernet signals over a single fibre for distances of up to 80km.

This link can be used in a wide variety of applications such as:

- Secure data connections
- Private business networks
- Monitor and control of 3<sup>rd</sup> party equipment



Available in rack card or module formats, the media converter link can be housed in a standard **ViaLiteHD** 3U or 1U rack, function as a standalone unit or be integrated into existing customer equipment.



**ViaLiteHD** fibre optic links are available in three hardware formats:

- Rack mounted cards,
- m-link modules
- Edge OEM modules.

A fully populated 19" **ViaLiteHD** 3U rack supports up to 26 links and accepts 13 RF and accessory cards plus an SNMP card and dual power modules. A 1U rack accepts three RF cards or two RF cards plus an SNMP card.

**ViaLiteHD** m-link modules offer a compact link. Edge OEM modules allow system integrators and manufacturers to build RF/optical interfaces into their own design. A range of support modules and accessories including indoor rack equipment and weatherproof outdoor enclosures are also available.



## Data Performance Characteristics

Ethernet Rack Module	
Data Rate	1Gbps
Fiber Interface	Gigabit Ethernet IEEE 802.3z Full duplex, two fibres

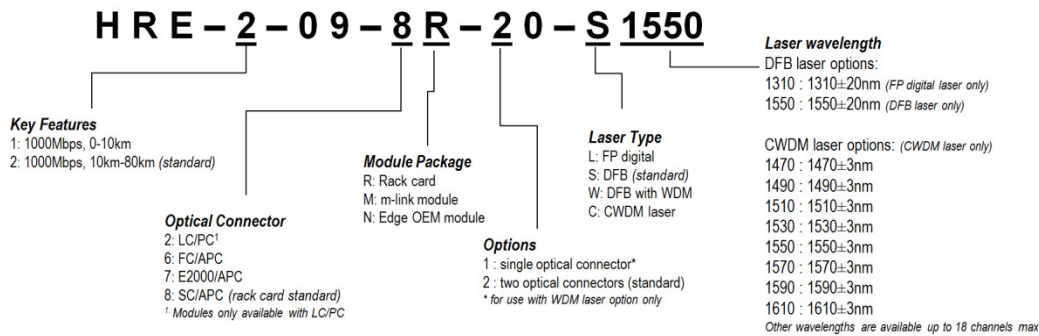
## Optical Performance Characteristics

Ethernet Rack Module	
Laser Power Output	Class 1
Optical Wavelength	1550 nm $\pm$ 20 nm (1310nm/CWDM options)
Fibre Type	Single Mode 9/125mm, Corning SMF28 or equivalent
Optical Connector	SC/APC (FC/APC and E2000 options)
Optical Path Length	0-10km for 1310nm with single mode fibre (no minimum loss required) 10-80km for 1550nm with single mode fibre (minimum path loss 3dB required)
Optical Power Budget	15dB (typical)

## Temperature Characteristics

Ethernet Rack Module	
Operating Temperature	-20degC to +50degC
Storage Temperature	-40degC to +70degC

## Part Numbers and Options



## Mechanical Dimensions

